

HA16 E HA16 E PRO



BOOST YOUR PRODUCTIVITY

- > Load capacity of 300kg and 5° tilt
- > Oscillating axle with manual differential lock increases ground traction (PRO model)
- > 4-wheel steering for more agility (PRO model)

OPERATE ANYTIME ANYWHERE WITH ZERO EMISSION

- > Full electric drive
- > Silent and clean operations
- > Versatile use: indoor / outdoor on all types of worksites

EXTEND YOUR DUTY CYCLES

- > Multiple and fast charging solutions adapted to all worksite situations
- > Fast charging thanks to removable Range Extender (option compatible with other PULSEO machines)

WORK SAFELY

- > Haulotte Activ'Shield Bar : anti-crushing system (standard PRO model)
- > Haulotte Activ'Lighting System: load and unload the machine in low visibility conditions (standard PRO model)
- > Transport handle to ensure the operator is safe while loading and unloading (optional)

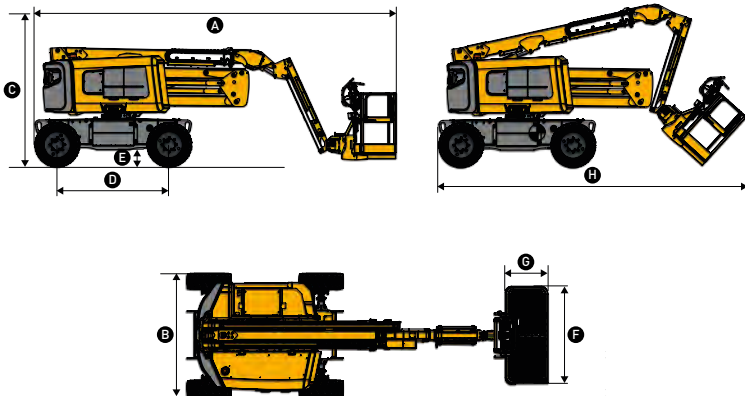


HA16 E HA16 E PRO

ARTICULATING BOOMS ELECTRIC

TECHNICAL DATA

	HA16 E	HA16 E PRO
Working height	16 m	
Platform height	14 m	
Horizontal outreach	7.94 m	
Up and over clearance	7.88 m	
Lift capacity	300 kg	
A Length	6.78 m	
Length - transport	5.79 m	
B Width	2.3 m	
C Height - stowed	2.29 m	
Height - transport	3 m	
D Wheelbase	2.1 m	
E Ground clearance	30 cm	
F x G Platform size	1.8 x 0.8 m (Option 2.40 x 0.9 m)	
H Length - storage / transport	5.79 m	
Storage / transport height	3 m	
Tailswing	16.2 cm	
Tilt	5 °	
Proportional drive speed	4,9 km/h	
Maximum wind speed rating	45 km/h	
Gradeability	40 %	
Turning radius - outside	5 m	3.3 m
Weight	7 030 kg	7 120 kg
Batteries	48V - 390Ah (C20)	



STANDARD EQUIPMENT

- > Haulotte Activ'Lighting System (standard PRO model)
- > Proportional and simultaneous movements
- > Modular basket 1.8 x 0.8 m
- > Access to the MyHaulotte multi-service portal
- > Universal telematic plug
- > 4-wheel drive and 2-wheel steering (standard E model)
- > 4-wheel drive and 4-wheel steering (standard PRO model)
- > Haulotte Activ'Screen
- > Haulotte Activ'Shield Bar (standard PRO model)
- > Flashing light

OPTIONS & ACCESSORIES

- > Non-marking tires
- > USB plug
- > Glazier kit
- > Sherpal telematics subscription
- > 360° continuous rotation (PRO model only)
- > Range Extender protective cover
- > Large basket 2.44 x 0.91 m
- > Transport handle
- > REX 5.5 kW - Stage 5
- > Accelerated charger 380V

